

Enjoy sustainable savings with an Apricus solar hot water system

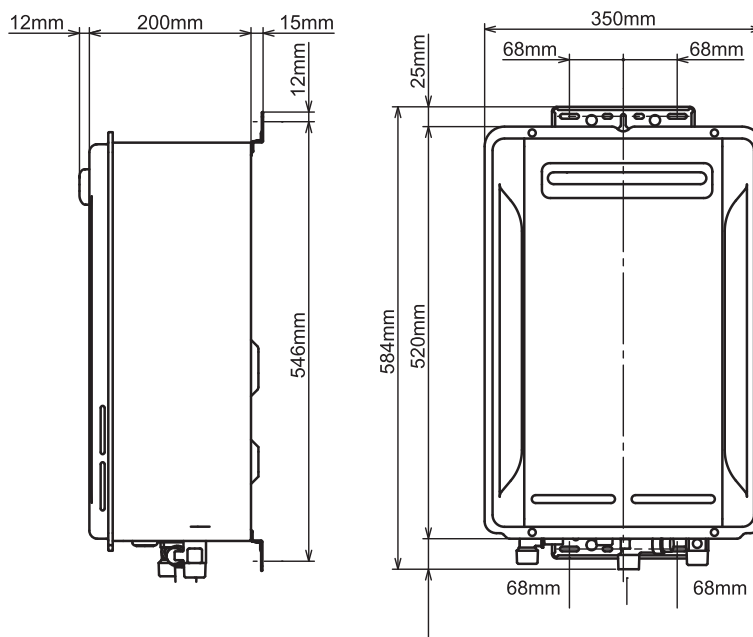
Technical Overview



Apricus Solar Gas Booster 6 Star Energy Rating

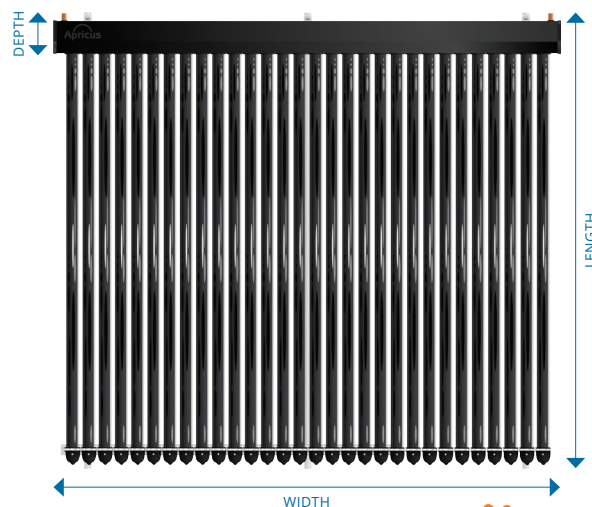
Specifications	
MODEL	AP26SNG/LP
Nominal hourly gas consumption (MJ/h)	200
Capacity at 25°C rise (L/min)	26
Capacity at 40°C rise (L/min)	16.25
Energy rating (stars)	6
Input Voltage single phase 50Hz (V)	240
Maximum output current (A)	0.46
Installation	External
Ignition	Electronic
Test point pressure NG (kPa)	0.80
Test point pressure LP (kPa)	1.50
Minimum water pressure (kPa)	110
Maximum water pressure (kPa)	1200
Inlet gas connection male thread	R3/4" (20mm)
Cold water connection male thread	R3/4" (20mm)
Hot water connection male thread	R3/4" (20mm)
Weight (kg)	16

Dimensions	
MODEL	AP26SNG/LP
Height (mm)	520
Width (mm)	350
Depth (mm)	200



Apricus Evacuated Tubes ETC Collectors

Specifications			
NUMBER OF TUBES MODEL NUMBER	22T ETC-22T	30T ETC-30T	44T ETC-44T
Gross Area (m ²)	3.28	4.4	6.56
Aperture Area (m ²)	2.07	2.84	4.14
Width (mm)*	1636	2196	3272*
Length (mm)	2005	2005	2005
Depth (mm)*	136	136	136
Dry Weight (kg)*	71.3	95	142.6
Fluid Capacity (mL)	600	790	1200
Peak Power (kW)	1.477	2.014	2.954
Minimum Operating Temperature (°C)	-15 (with frost protection)		
Warranty Period*	15 years		
Minimum Pitch (°)	20		
Maximum Pitch (°)	45		
Max Operating Pressure (kPa)	800		



* See Apricus warranty policy for full details.
 ^ Note: Depth does not include mounting frame.
 # Note: Dry weight is not inclusive of aluminium ETC frame weight.
 + Assumes 2x 22T collectors directly adjacent to each other, spacing between two collector groups not taken into account.



CONTACT US TODAY

For more details please contact your Relationship Manager or call Apricus on **1300 277 428**.

apricus.com.au

Enjoy sustainable savings with an Apricus solar hot water system

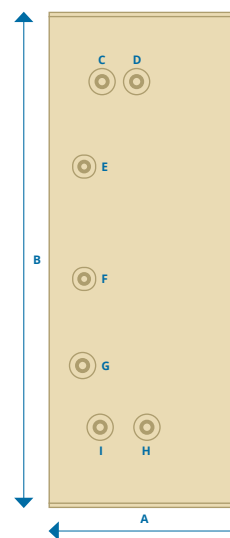
Technical Overview



Glass Lined Tank – Gas Booster Tank

Dimensions			
MEASUREMENTS (mm)	250L	315L	400L
Diameter (A)	617	617	705
Height (B)	1445	1765	1704
HW Outlet (C)	1211	1531	1445
PTRV Port (D)	1211	1531	1445
Top Sensor (E)	992	1258	1208
Solar Return (F)	764	953	932
Bottom Sensor (G)	457	551	554
Solar Flow (H)	197	197	219
Cold Water Inlet (I)	197	197	219

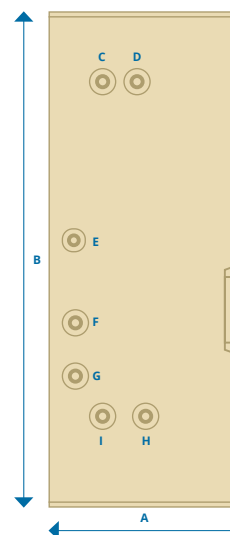
Specifications			
TANK SIZE MODEL NUMBER	250L AP250GLG	315L AP315GLG	400L AP400GLG
Physical Volume (L)	259	323	420
Dry Weight (kg)	71	92	116
Construction Material	Vitreous Enamel		
Port Size (")	¾		
Cylinder Warranty (Yrs)	10*		
Safety Valve Setting (kPa)	850		
Supply Pressure Max (kPa)	680		



Glass Lined Electric Middle Element Tank

Dimensions		
MEASUREMENTS (mm)	315L	400L
Diameter (A)	617	705
Height (B)	1765	1704
HW Outlet (C)	1531	1445
PTRV Port (D)	1531	1445
Top Sensor (E)	872	832
Solar Return (F)	504	554
Bottom Sensor (G)	326	357
Solar Flow (H)	197	219
Cold Water Inlet (I)	197	219
Element Height (J)	535	694

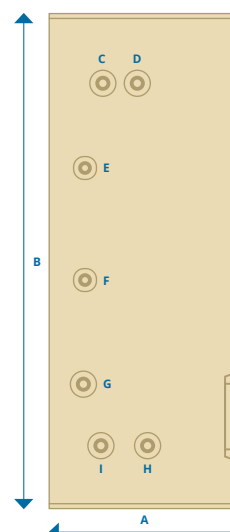
Specifications		
TANK SIZE MODEL NUMBER	315L AP315GLEM	400L AP400GLEM
Physical Volume (L)	323	420
Dry Weight (kg)	92	116
Construction Material	Vitreous Enamel	
Anode Material	Magnesium	
Port Size (")	¾	
Thermostat Max (°C)	70	
Element Rating (kW)	3.6	
Cylinder Warranty (Yrs)	10*	
Safety Valve Setting (kPa)	850	
Supply Pressure Max (kPa)	680	



Glass Lined Electric Bottom Element Tank

Dimensions			
MEASUREMENTS (mm)	250L	315L	400L
Diameter (A)	617	617	705
Height (B)	1445	1765	1704
HW Outlet (C)	1211	1531	1445
PTRV Port (D)	1211	1531	1445
Top Sensor (E)	786	872	809
Solar Return (F)	567	566	536
Bottom Sensor (G)	347	355	340
Solar Flow (H)	197	197	219
Cold Water Inlet (I)	197	197	219
Element Height (J)	167	167	167

Specifications			
TANK SIZE MODEL NUMBER	250L AP250SRT	315L AP315SRT	400L AP400SRT
Physical Volume (L)	259	323	420
Dry Weight (kg)	71	92	116
Construction Material	Vitreous Enamel		
Anode Material	Magnesium		
Port Size (")	¾		
Thermostat Max (°C)	70		
Element Rating (kW)	3.6		
Cylinder Warranty (Yrs)	10*		
Safety Valve Setting (kPa)	850		
Supply Pressure Max (kPa)	680		



Note these diagrams are not to scale and are for indication purposes only.

CONTACT US TODAY

For more details please contact your Relationship Manager or call Apricus on **1300 277 428**.

apricus.com.au

